

- Ball valve** : Electrically operated ball valve  
**Application** : Remotely controlled valve on board of pleasure craft, amongst others as seacock.  
**Features** : Metal transmission and gears  
                   High opening and closing torque (reduced chance of jamming)  
                   Simple manual operation in case of power failure  
                   Thermal overload protection  
                   Low maintenance  
                   Suitable for salt water, fresh water and diesel fuel  
**Construction** : 3-piece construction, Metal ball valve, Rotary actuator and Coupling with bracket

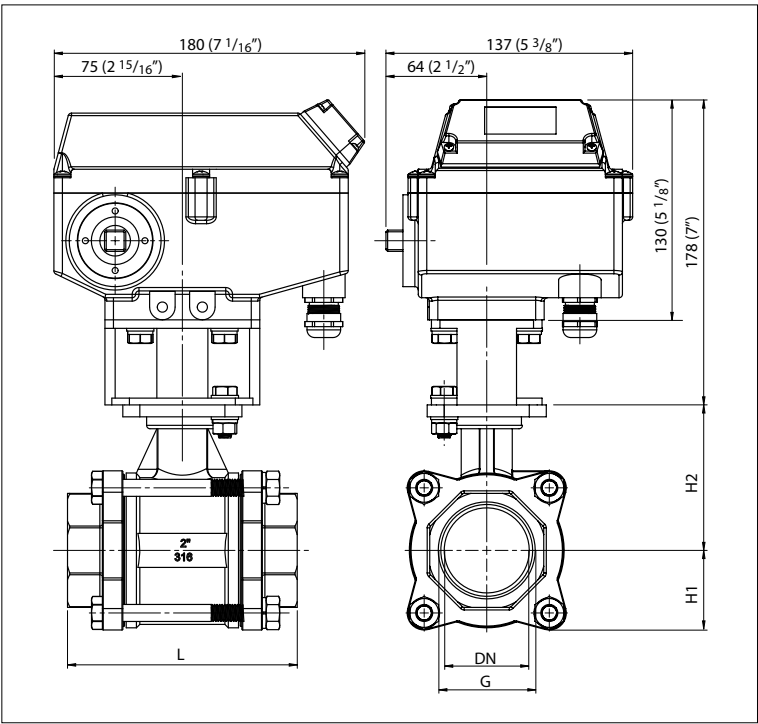
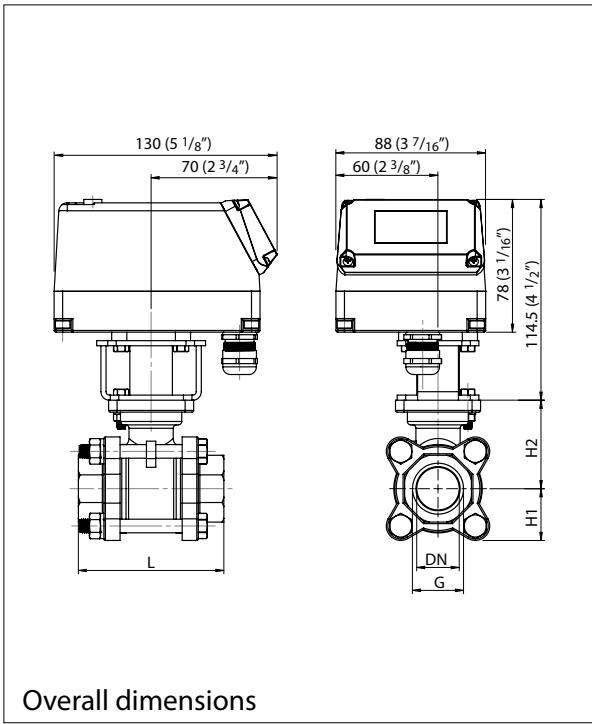
**Specifications,**

	Type		
	MV12A1/2	MV24A1/2	MV24B2
	MV12A3/4	MV24A3/4	
	MV12A1	MV24A1	
	MV12A11/4	MV24A11/4	
	MV12A11/2	MV24A11/2	
<b>Voltage, nominal</b>	12 V	24 V	24 V
<b>Power supply range</b>	11 - 14 V	18 - 28 V	20 - 28 V
<b>Operating current @ max. torque</b>	2.2 A ± 10 % @ 13.8 V	1.2 A ± 10 % @ 27.6 V	4.1 A ± 5 % @ 27.6 V
<b>Quiescent current</b>	50 ± 5 mA	25 ± 5 mA	60 ± 5 mA
<b>Max. Torque</b>	40 Nm (29.5 ft.lb)		220 Nm (162 ft.lb)
<b>Max. pressure</b>	60 bar (870 psi)		
<b>Medium temperature</b>	max. 100°C (212°F)		
<b>Operation</b>	Open/Closed		
<b>Angle of rotation</b>	90°		
<b>Direction of rotation</b>	Left/right		
<b>Operating time open - close</b>	12 s		25 s
<b>Position indication</b>	Visual indicator		
<b>Manual override</b>	Available		
<b>Humidity</b>	max. 90%, no condensation may form		
<b>Ambient temperature</b>	-20 to +45°C (-4 °F to +113 °F).		
<b>Protection</b>	IP 67		
<b>Ball valve material</b>	RVS 316		
<b>Control housing material</b>	Cast aluminium, powder-coated		
<b>Length of the connection cable</b>	80 cm (31 ")		

- Relevant CE Standards** : EN55014 (EMC Directive 2004/108/EC)  
                                   : ISO8846 (RCD 94/25/EC amended by 2003/44/EC)

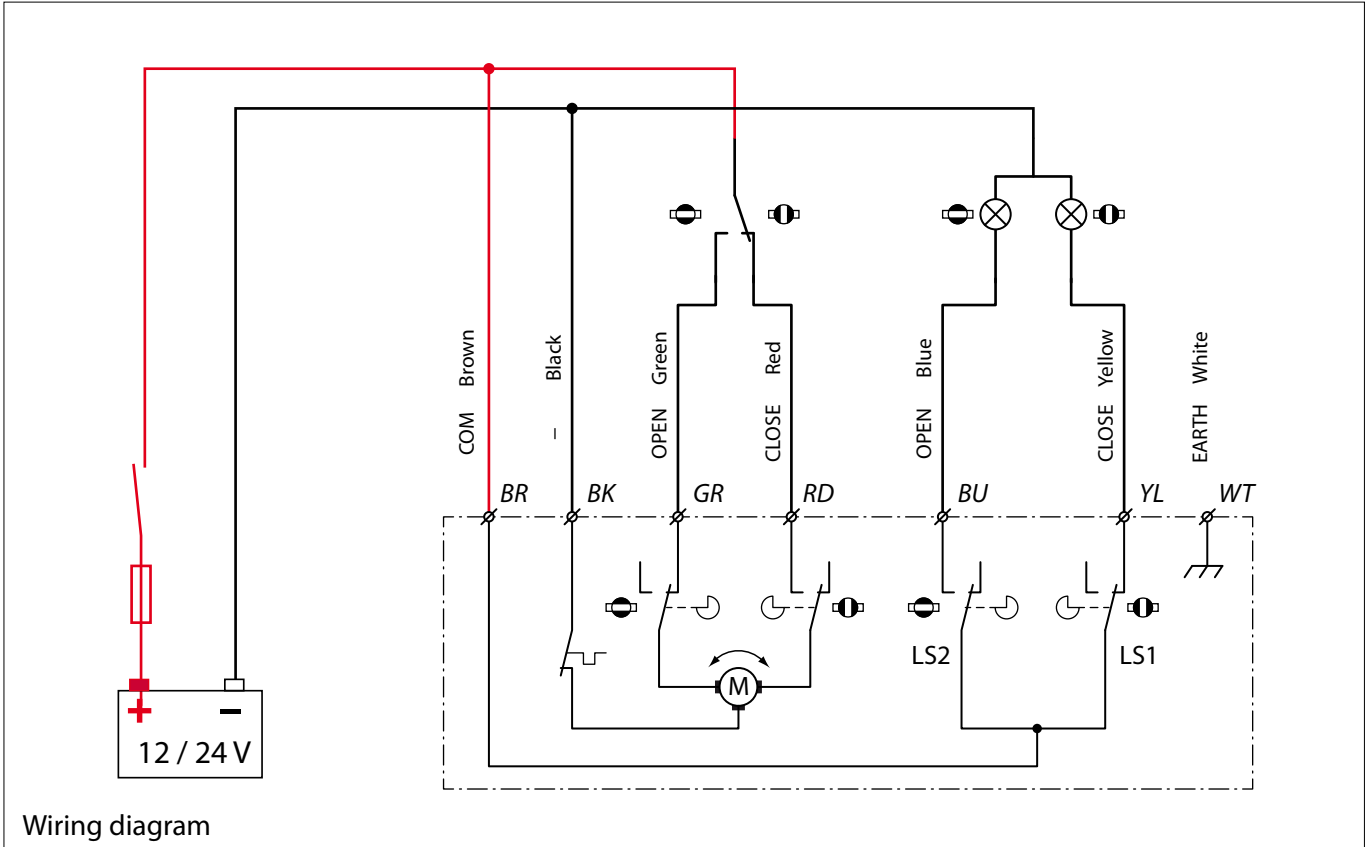
**Certification** : DCI-RCD

**Classification** : Non



Overall dimensions

		G ISO 228	DN	H1	H2	L	Weight	
MV12A1/2	MV24A1/2/2	1/2"	15	22.5 (7/8")	42 (1 5/8")	72 (2 13/16")	2.2 kgs	(4.9 lbs)
MV12A3/4	MV24A3/4	3/4"	20	22.5 (7/8")	48 (1 7/8")	80 (3 1/8")	2.4 kgs	(5.3 lbs)
MV12A1	MV24A1	1"	25	30 (1 3/16")	55 (2 3/16")	85 (3 3/8")	2.8 kgs	(6.2 lbs)
MV12A11/4	MV24A11/4	1 1/4"	32	36.5 (1 7/16")	60 (2 3/8")	105 (4 1/8")	3.4 kgs	(7.5 lbs)
MV12A11/2	MV24A11/2	1 1/2"	38	40 (1 9/16")	70 (2 3/4")	113 (4 7/16")	4.2 kgs	(9.3 lbs)
MV24B2		2"	50	46.5 (1 13/16")	85 (3 3/8")	132 (5 3/16")	7.8 kgs	(17.2 lbs)



Wiring diagram