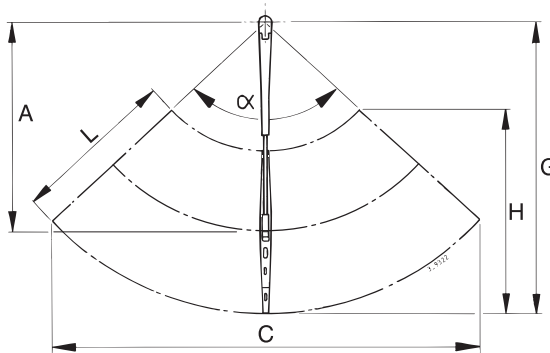


⚠ L [mm] x A [mm] x α [°] < 17.800.000

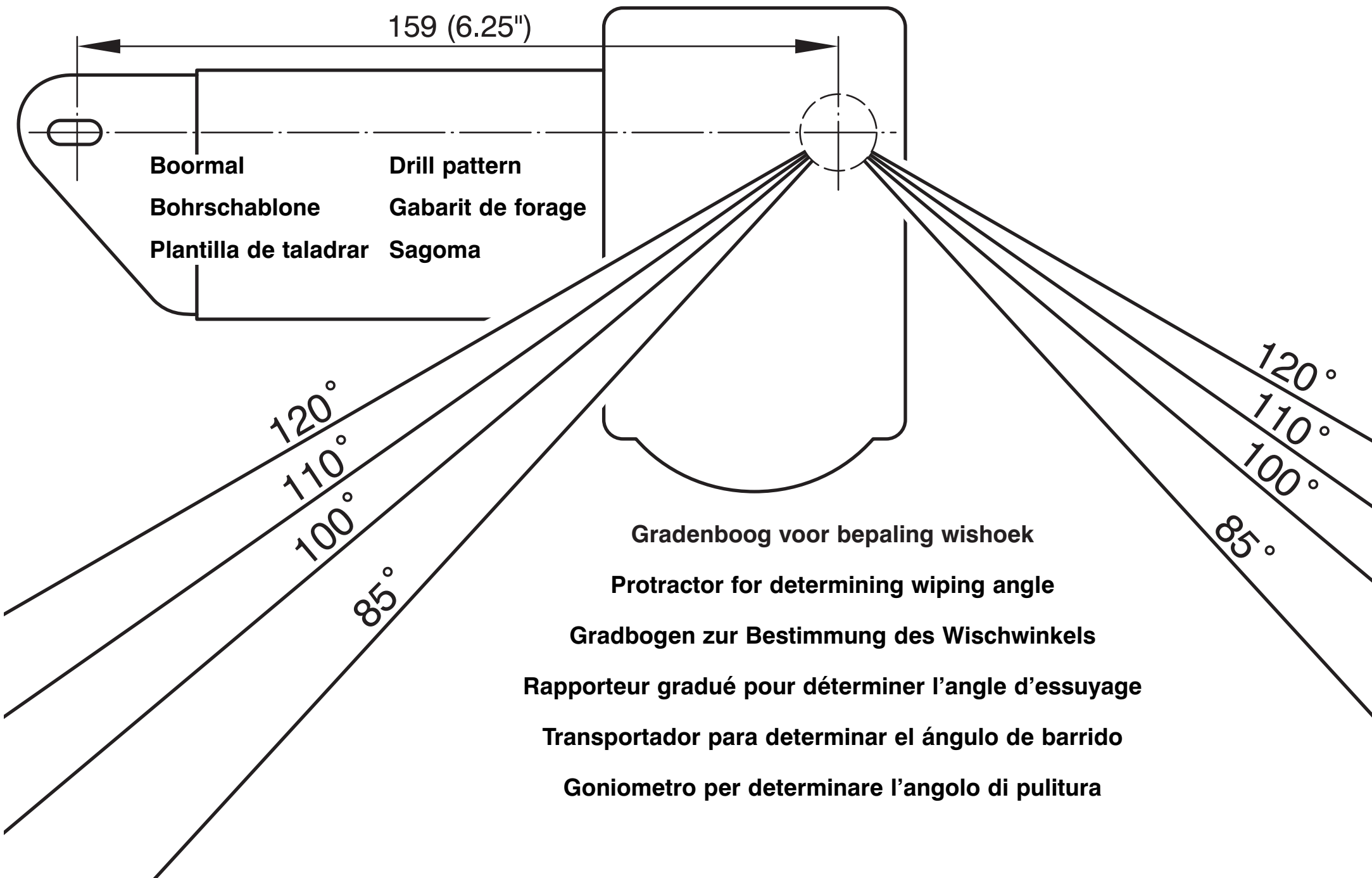


		WBB30 WBS30	WBB41 WBS41	WBB51 WBS51
L		305 (12")	410 (16")	508 (20")

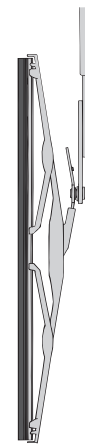
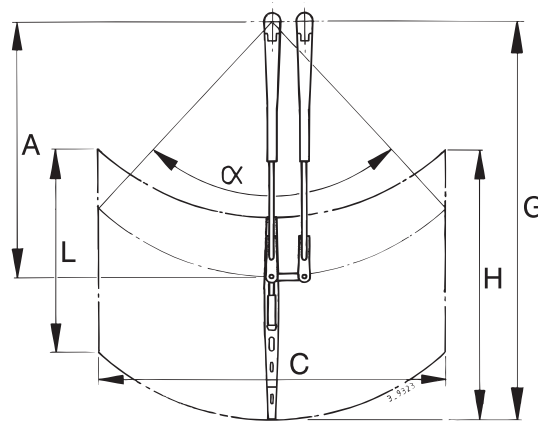
RWAS SSAS	A	min. 280 (11.02")		max. 366 (14.41")		min. 280 (11.02")		max. 366 (14.41")		min. 280 (11.02")		max. 366 (14.41")	
	G	433 (17.03")		519 (20.41")		485 (19.09")		571 (22.48")		534 (21.02")		620 (24.41")	
	α	C	H	C	H	C	H	C	H	C	H	C	H
	85°	584 (23.01")	338 (13.33")	701 (27.58")	361 (14.22")	655 (25.80")	430 (16.92")	772 (30.37")	452 (17.81")	722 (28.41")	515 (20.27")	838 (32.98")	537 (21.16")
	100°	663 (26.09")	351 (13.80")	794 (31.28")	381 (15.01")	743 (29.25")	437 (17.20")	875 (34.44")	468 (18.41")	818 (32.21")	517 (20.37")		

RWAL SSAL	A	min. 395 (15.55")		max. 481 (18.94")		min. 395 (15.55")		max. 481 (18.94")		min. 395 (15.55")			
	G	548 (21.56")		634 (24.94")		600 (23.62")		686 (27.01")		649 (25.55")			
	α	C	H	C	H	C	H	C	H	C	H		
	85°	740 (29.12")	369 (14.52")	856 (33.70")	391 (15.41")	811 (31.92")	460 (18.11")	927 (36.49")	483 (19.00")	877 (34.52")	545 (21.46")		
	100°	839 (33.02")	392 (15.42")	971 (38.21")	422 (16.63")	919 (36.19")	478 (18.81")						

RWAX SSAX	A	min. 473 (18.62")		max. 559 (22.01")		min. 473 (18.62")							
	G	626 (24.63")		712 (28.01")		678 (26.69")							
	α	C	H	C	H	C	H						
	85°	845 (33.27")	389 (15.32")	961 (37.85")	412 (16.21")	916 (36.07")	480 (18.91")						
	100°	958 (37.73")	419 (16.52")	1090 (42.92")	450 (17.72")								



⚠ L [mm] x A [mm] x α [°] < 17.800.000



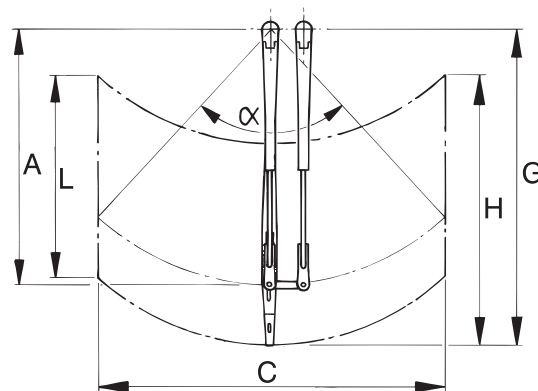
		WBB30 WBS30	WBB41 WBS41	WBB51 WBS51
	L	305 (12")		410 (16")

RWAD SSAD	A	min. 308 (12.13")		max. 393 (15.57")		min. 308 (12.13")		max. 393 (15.57")		min. 308 (12.13")		max. 393 (15.57")	
	G	506 (19.90")		591 (23.25")		558 (21.97")		643 (25.31")		607 (23.90")		692 (27.24")	
	α	C	H	C	H	C	H	C	H	C	H	C	H
	85°	416 (16.38")	386 (15.19")	531 (20.91")	408 (16.07")	416 (16.38")	491 (19.33")	531 (20.91")	513 (20.21")	416 (16.38")	589 (23.19")	531 (20.91")	611 (24.06")
	100°	472 (18.58")	415 (16.34")	602 (23.71")	445 (17.53")	472 (18.58")	520 (20.47")	602 (23.71")	550 (21.67")	472 (18.58")	618 (24.33")		

⚠ H > G

RWADX SSADX	A	min. 386 (15.20")		max. 471 (18.54")		min. 386 (15.20")		max. 471 (18.54")		min. 386 (15.20")			
	G	584 (22.97")		669 (26.32")		636 (25.04")		721 (28.39")		685 (26.97")			
	α	C	H	C	H	C	H	C	H	C	H		
	85°	522 (20.53")	406 (16.00")	636 (25.06")	429 (16.88")	522 (20.53")	511 (20.13")	636 (25.06")	534 (21.01")	522 (20.53")	609 (23.99")		
	100°	591 (23.28")	443 (17.44")	722 (28.41")	473 (18.63")	591 (23.28")	548 (21.57")						

⚠ L [mm] x A [mm] x α [°] < 17.800.000



		WBB30 WBS30	WBB41 WBS41	WBB51 WBS51
	L	305 (12")		410 (16")

RWAD SSAD	A	min. 308 (12.13")		max. 393 (15.57")		min. 308 (12.13")		max. 393 (15.57")					
	G	416 (16.36")		501 (19.70")		468 (18.43")		553 (21.77")					
	α	C	H	C	H	C	H	C	H				
	85°	416 (16.38")	386 (15.19")	531 (20.91")	408 (16.07")	416 (16.38")	491 (19.33")	531 (20.91")	513 (20.21")				
	100°	472 (18.58")	415 (16.34")	602 (23.71")	445 (17.53")	472 (18.58")	520 (20.47")	602 (23.71")	550 (21.67")				

⚠ H > G

⚠ H > G

RWADX SSADX	A	min. 386 (15.20")		max. 471 (18.54")		min. 386 (15.20")		max. 471 (18.54")		min. 386 (15.20")			
	G	494 (19.43")		579 (22.78")		546 (21.50")		631 (24.84")		595 (23.43")			
	α	C	H	C	H	C	H	C	H	C	H		
	85°	522 (20.53")	406 (16.00")	636 (25.06")	429 (16.88")	522 (20.53")	511 (20.13")	636 (25.06")	534 (21.01")	522 (20.53")	609 (23.99")		
	100°	591 (23.28")	443 (17.44")	722 (28.41")	473 (18.63")	591 (23.28")	548 (21.57")						

⚠ H > G

⚠ H > G